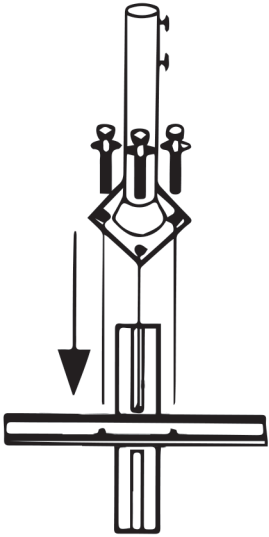


Important Note: Umbrella Must Be Secured With An Umbrella Base/ Pavers Or Bolted to Deck/ Patio
Umbrella Base, Pavers & Deck/Patio Screws NOT Included

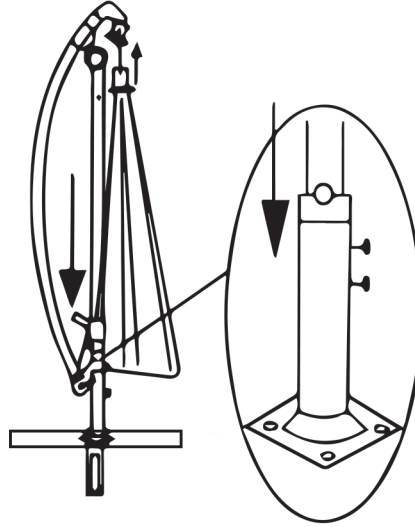
Step 1:

- Align Base Cross Members Together
- With 4 Bolts Screw in Bottom Tube onto Cross Members



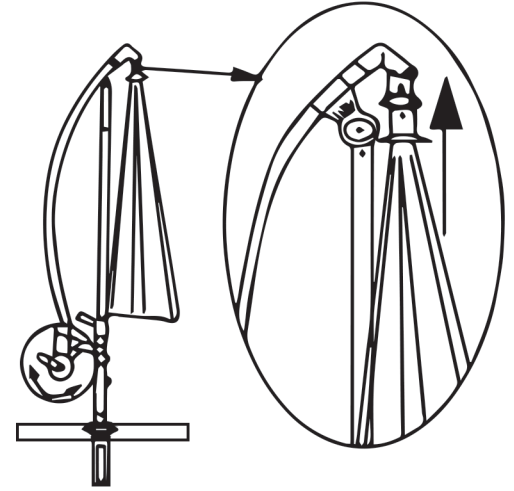
Step 2:

- Insert Frame into Bottom Tube
- Tighten Bottom Tube Screws Until Frame is Securely In Place



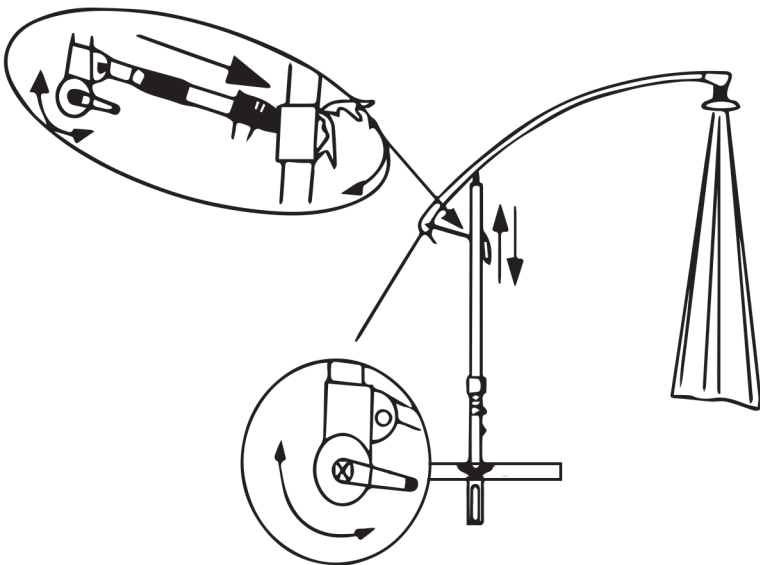
Step 3:

- Crank Handle to Remove Any Slack In String
- Insert Umbrella Finial Into Frame Housing



Step 4:

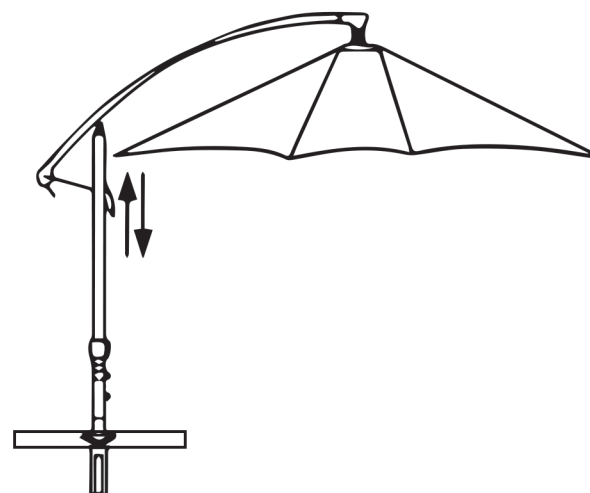
- Unlock Frame Handle By Pulling Up On Lever
- Push Umbrella Frame Arm Until the Umbrella is Fully Extended (as shown)
- Lock Arm In Place by Pushing Down On Lever and Moving The Black Sleeve Into Place
- Crank Handle to Open Umbrella



If a Tilted Umbrella Position is Desired Then...

Step 5:

- Unlock The Frame By Pulling Up On Lever



Step 6:

- Slide Down Handle On Frame
- Lock The Frame By Pushing Down On Lever

